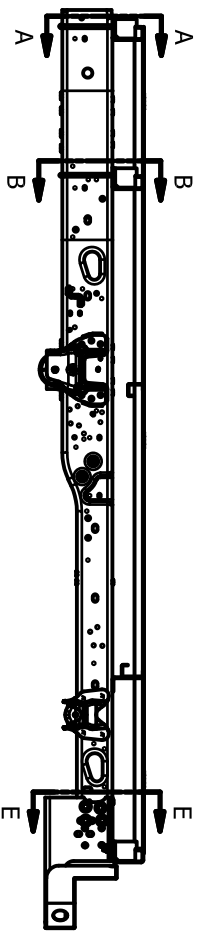
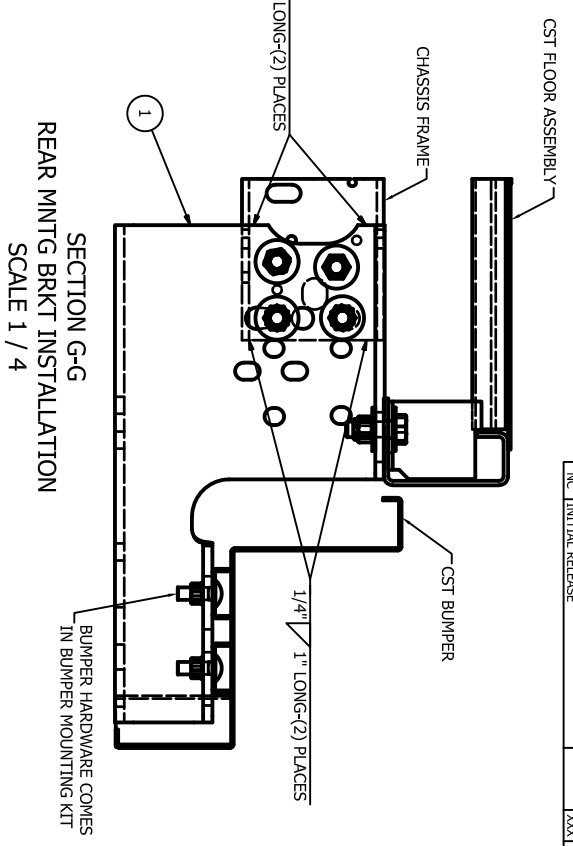
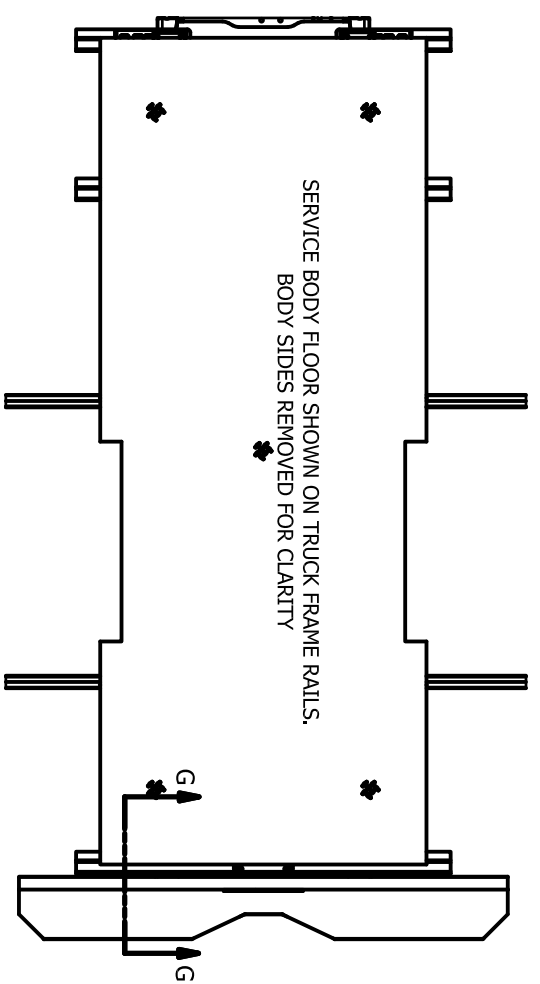
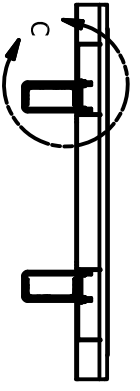


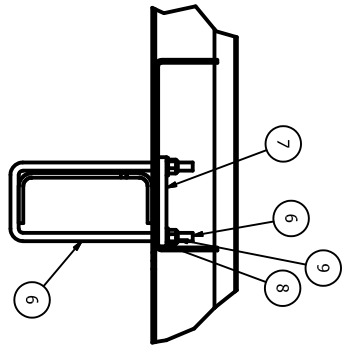
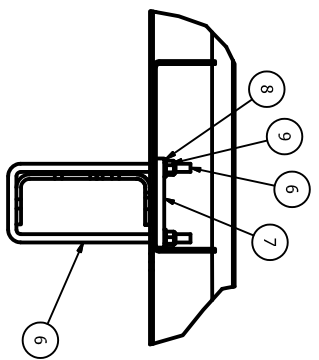
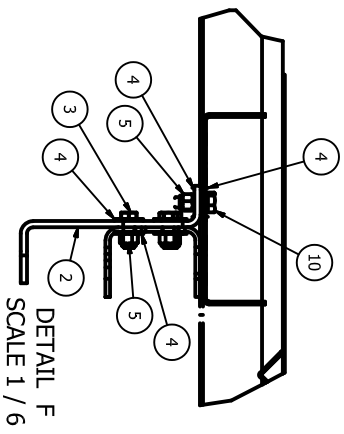
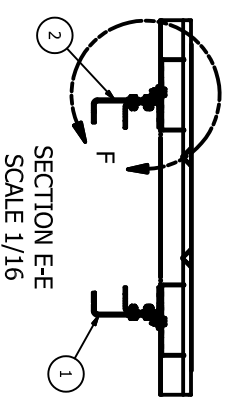
LET	REVISIONS	DATE	BY	ECO
NC	INITIAL RELEASE		XXX	F



SECTION A-A
FRONT MOUNTING



SECTION B-B
INTERMEDIATE MOUNTING



ITEM	QTY	DWG ID	PART NUMBER	DESCRIPTION
12	12	927190		1/2" PLASTIC HOLE PLUG, CMPPT BTM
11	1	0900	144403-03	PLASTIC PARTS BAG, 8" X 12"
10	2	9170	134270	5/8-11 X 2.00 GRADE#8 HHCS
9	8	9190	144736	NUT-LK-1/2-13 GR8
8	8	9190	129115	1/2 WASHER - HARDENED
7	4	0900	216877	TIE STRAP, U-BOLTS
6	4	9330	216876	U-BOLT-0.50"D X 4.25"CE X 11"
5	10	9190	919526	NUT, 5/8-11 NYLON LOCK GR 8
4	20	9190	919880	WASHER 5/8 FLAT
3	8	9170	917516	SCREW 5/8-11 X 1.75 GR 8 HHC
2	1	4233	228821-02	BRACKET-REAR MOUNTING-RH
1	1	4233	228821-01	BRACKET-REAR MOUNTING-LH

TITLE
CST 134 INSTALLATION-16' FORD

DATE: 07-24-17
SCALE: 1=16
DWG I.D.: 4233

RAW PART CODE: _____
RAW PART QTY: _____

SHEER SIZE OR PURCH. DATA: _____
TYPE CODE: 0
UM: EA

STAHLL
A SCOTT-FETZER COMPANY
DRAWING NO. 209370-16F-84CA